

CONSTRUCTION  
1600 RPM

Laundry and Dishwasher  
Launch 2017



## Introduction

Scandinavian design	4
ASKO laundry	6

## Washing machines

Features	16
Range	28

## Tumble dryers

Features	30
Range	42

## Dishwashers

Features	44
Range	74

## Product information

Technical specifications	78
Installation drawings	82



## Scandinavian design

The combination of everyday functionalism, environmental concern and clean, pleasant lines is the principal hallmark of Scandinavian design – and that of ASKO. The fundamental idea is that carefully designed products should improve people's quality of life. To distinguish ourselves in a market of cluttered, complex and voluptuous designs, we aim for a soft, humanistic minimalism based on the principle of quiet being the new loud. The key elements of Scandinavian design – understated elegance, high-quality craftsmanship and natural materials – are reflected in ASKO's design language. Much emphasis is also placed on functionality. We strive to make life easier by offering truly user-friendly interfaces, integration of practical functions and trouble-free, durable products that please people for a long time.



“The key elements of Scandinavian design – understated elegance, high-quality craftsmanship and natural materials – are reflected in ASKO's design language.”

Jon Carlehed, Head of Design at Asko Appliances.

# We follow our own path



Despite our 65 years in the industry, we do not rest on our laurels, we always strive to understand how we can make our products even better. This time around we have done our best to learn from real people, finding out what they think are the biggest problems in the laundry room .

We combined these insights with our years of experience in both domestic and commercial laundry to create a new generation of good-looking, user-friendly, innovative and long-lasting washing machines and tumble dryers.

# Eliminating your biggest troubles

In the process of developing our latest washing machines and dryers, we met with consumers. These meetings became small narratives with different views, ideas and wishes. We learned a lot and started developing a new

generation of washing machines and tumble dryers with many great improvements and solutions. Here we have collected some of the most common concerns and how we try to resolve them.

## THE OTHER WAY

### Everything ends up in bedsheets and laundry gets tangled up

The rotating drum causes the clothes to rotate in the same direction. In the end, they get tangled up with each other. The result is more trouble and a significantly poorer drying result.

### Too noisy and vibrations

Living next door to the laundry room or having the washing machine nearby the kitchen creates a poor audio environment and in the long run is perceived as very disturbing.

### Dirty rubber bellow

Lots of dirt and bacteria accumulate in the rubber bellow. It causes bad odours and requires regular and time-consuming cleaning. The rubber bellow is also the part of the washing machine that breaks first.

### Door too small

Many people with large and active families often wash several times a day. In such a situation, loading and unloading can be extra difficult. The washing machine opening is too small and the clothes get stuck in the rubber bellows.

## THE ASKO WAY

### Butterfly drying

We have solved this problem by creating a unique solution that we call Butterfly drying. The two paddles inside the machine gently push the clothing in a figure of eight, to spread the garments out and allow air to evenly circulate through them. This prevents bundling and minimises creasing in your clothes.

### Vibration-free spinning

All our washing machines have the unique Quattro Construction™. The inner and outer drum rest on four shock absorbers that are attached to the bottom plate. Spinning causes virtually no vibrations.

### Hygienic Steel Seal™

A better alternative to the traditional rubber bellow is the hygienic and maintenance-free Steel Seal™ solution that you find on all ASKO washing machines. There is simply no place for dirt to gather, eliminating the need for regular cleaning.

### Big doors on all ASKO washers

The doors on all ASKO washing machines have a large porthole diameter of 307 mm. The fact that they lack the traditional rubber bellow also makes loading and unloading considerably easier.

# Fully loaded

Smarter by design. ASKO Laundry appliances are packed with innovative features designed to make daily life easier. And because they're made using quality steel parts, you can always look forward to years of reliable service.

Shirts program for less creases

Air Lift™ paddles achieve faster drying

Soft Drum™ for gentle drying

Super Rinse for super clean clothes

Large door for easy clothes removal

Steel Seal™ door for better hygiene

Sportswear program for Gore-Tex and membrane clothing

Illumination inside for easy viewing\*  
\*Logic models only

Butterfly Drying™ for less bundling

Start/stop button with pause function

ASKO Pro Wash™ for effective rinsing and cleaning\*  
\*W4086P.W only

Quattro suspension for whisper-quiet operation



# A timeless classic

Our Classic models have a program for every scenario and with the two run modes, you can quickly adjust the programs to make them either more environmentally friendly or wash more intensively. The interface is easy to understand and straight forward to use with a selection knob for program selection and buttons for each option. The front plate, panel and controls have the same timeless, discreet and elegant white design.



From left to right with Line Concept™

The Line Concept™ starts with the detergent drawer on the left and ends with the Start/Stop/Pause button on the right. Start by filling the detergent drawer then simply enter your desired settings from left to right!

# Make logical choices

For the Logic models we focused on a minimalistic appearance with sleek lines and a balanced colour scheme between the front plate, panel and display. Harmony is key here and the Logic models are suited to all types of integration where appearance is important. This is the logical choice for everyone and caters to the need for both design and function.



## Long lasting and timeless

On our Logic models the panel, detergent drawer lid, dial and buttons are all made of carefully brushed metal and stainless steel. It is not simply a way to signify quality, it is also entirely in line with honest Scandinavian design, where quality should not only be superficial - if something looks robust, it must also be robust.



# Laundry care the ASKO way

## Don't wash too hot

Pure cotton fabrics typically require 60°C to release dirt. But today fabrics made from mixed fibres are more common and usually suffice with a lower temperature. High temperatures cause wear on textile fibres and greatly reduce the life of your clothes.

## ASKO cleans even at low temperatures

We have made it easy for you to choose a lower temperature without impairing the end result. Our Pro Wash system ensures that all detergent is used in the laundry process. In addition, the system activates the detergent earlier in the laundry process, which prolongs its cleaning effect.

\*W4086P.W only

## Don't wash too often

When you wash your clothes the fibres in the garments are rubbed, folded and worn, which ultimately causes them to break apart.

## Use the tumble dryer instead

If your clothes have no visible stains, you can use the airing programs on our tumble dryers. This is an ideal way to get your clothes fresh again, without any detergents struggling to clean textile fibres.

## Be extra careful with wool

Wool is naturally strong and durable but can change shape when it is processed too intensively. It is therefore important to both be careful and have patience. Washing wool correctly by hand takes a long time and a skilled hand.

## ASKO is more careful than you

Choose to wash your wool fabrics in an ASKO instead of doing it by hand. This is in fact gentler on the fabric than you could ever be.

## Dark clothes fade

You've probably heard that you should turn your jeans inside out to maintain the colour better, but few are aware that this is true for all dark garments. Also, do not put them in the dryer if you want to keep the colour as long as possible because heat is tough on colour.

## Wash them with Dark wash

There have long been programs for white wash, but few for dark fabrics, which are arguably as common. With our Dark wash program you can wash your dark laundry without the risk of detergent spots and colour bleaching. Additional rinses, low mechanical action and low spin speeds ensure that your dark laundry is washed gently and rinsed thoroughly.

## Don't use softener on towels

Softener agents consist of microscopic plastic particles that retain a certain amount of moisture to soften the towel. On the other hand, the towel becomes less absorbent, which actually counteracts its purpose.

## Air is the best softener

Instead of softeners that degrade the towel's ability to bind moisture and can even contribute to skin problems, simply choose to dry them in our tumble dryers. They will be both dry and soft - without chemicals.

## Don't forget to wash the washer

Over time detergent residue, textile fibres and skin residue will build up in the washing machine. This will inevitably end up on your clothes and can cause bad odours and allergies.

## Use our drum cleaning program

Do not let a dirty washing machine destroy your laundry. We have created a special drum cleaning program that effectively cleans drums, hoses and other components involved in the laundry process.



# Washing Machines





# Mode function - your shortcut to better washing

When using a run mode, different parameters of the selected program are changed to be able to, for example, wash faster, quieter, more energy efficiently or more intensively. Our Logic models have five different modes, and the Classic models three.

## Normal mode

Normal mode means no changes to the program. Enough water, energy and time is used to be able to achieve a perfect washing result for normally soiled loads.

## Green mode

If you want to save both water and energy you should choose Green mode. To achieve the best possible washing and rinsing result yet still reduce energy consumption, each stage in the program is prolonged. Total program time will thus be longer compared to Normal mode.

## Allergy mode

This mode adds water to be able to rinse away all detergent residue from the load as well as from the detergent compartment. More water is used in Allergy mode and energy and time are also added to achieve the best possible washing and rinsing performance. The selected temperature is kept at the same level for a longer time.

## Speed mode

When selecting Speed mode you task the washing machine with delivering perfect washing and rinsing results in less time than normal. To achieve this, both more water and more energy are added to the washing cycle.

## Intensive mode

In this mode the washing machine has plenty of time to wash the load, more time than in Normal mode. And to really ensure a perfect result for heavily soiled clothes, more water and energy are also used. In Intensive mode the selected temperature is kept at the same level for a longer time.

# Programs for all kinds of laundry

Today, we wear significantly more variations of clothing, different types of fabrics and often fabrics of mixed materials than we did just a decade ago. As a consequence, it is also more difficult to choose the right program. We have made it easy for you to make the right choice by creating a large number of programs for different types of clothes and fabrics. Some of them are featured here.



## Hygiene

The hygiene program is designed for all those situations where deep hygienic washing is required. It is perfect for home chefs who need to clean aprons, kitchen towels and other textiles that meet raw food. It is also suitable for baby clothes, bedding and clothes used by skin allergy sufferers. In the latter case we recommend you turn the garments inside out as this will also thoroughly wash out any skin residue or residue from skin products. The program combines longer heating sequences and extra rinses\*

\*Excludes W2084C.W



## Jeans

Jeans are a durable fabric outside the washing machine but require some extra care during washing. Our Jeans program cleans your favourite pair by washing at lower temperatures and using lower spin speeds. In addition, we have added extra water to ensure that all detergent residue is washed from the fabric and the thick seams, eliminating the risk of detergent stains\*

\*Excludes W2084C.W



## Shirts

Have you ever found that it's hard to get collars and cuffs clean on your shirts? Then you should try the shirts program. It's a gentle but effective program where we use more water and repeated rinses to get even the thicker parts of the shirt clean\*

\*Excludes W2084C.W



## Dark wash

Dark wash helps eliminate the risk of detergent spots on fabrics. Extra rinses are added while low mechanical action and low spin speeds ensure that your dark laundry is washed gently and rinsed thoroughly.



## Bedding

A weekly wash of your bedding will remove skin residue and mites that cause allergies. This program is used to wash bedding, pillows and larger items. Follow the instructions for washing and care. The wash uses a large amount of water and extra rinse cycles\*

\*Excludes W2084C.W



## Quick Pro

This is a quick program but with high washing efficiency. The program washes with gentle tumbling and lower spin speeds and takes just under an hour.

# What is clean laundry for you?



## Fabric care and skin care. We tend to both

We are becoming increasingly sensitive to both ingredients in our food and various substances in our surroundings. Washing detergent is no exception. That's why it is so important that a washing machine can rinse away all detergent that can accumulate in both the fabric and the machine.

## Shortcut for allergy sufferers

Since skin allergy sufferers, like all of us, wear different types of clothes, we have equipped our washing machines with an allergy mode function. This feature allows you to customise almost all programs to make them more efficient against residues in laundry loads and the machine\*.

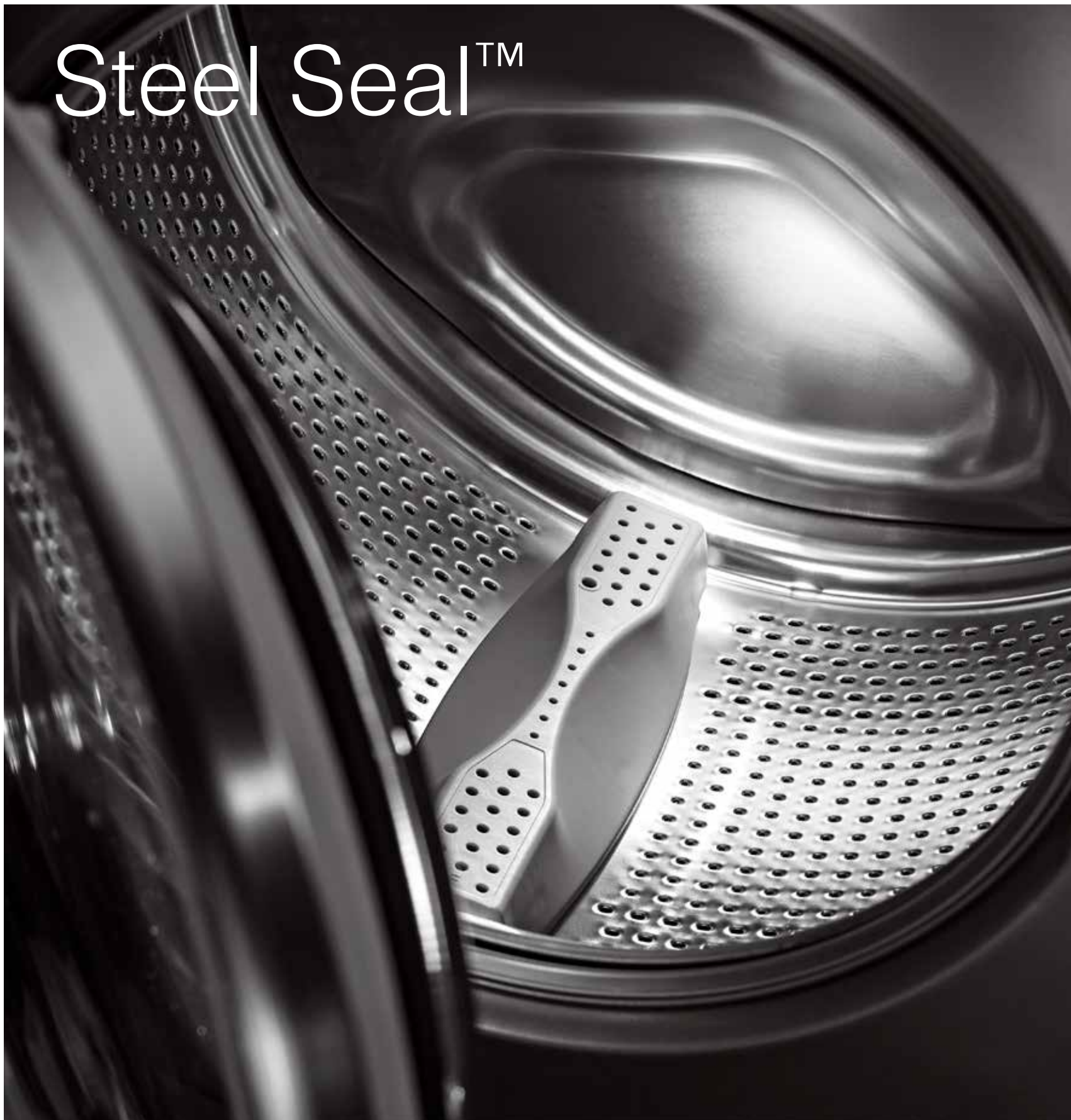
\*Excludes W2084C.W



## Super clean with Super Rinse

Dirt is not good for your clothes and detergents are not good for your skin. As a preventive measure for people with very sensitive skin ASKO's washing machines feature an extra rinse function called Super Rinse. This is especially important in countries with soft water and means that the machine rinses up to seven times.

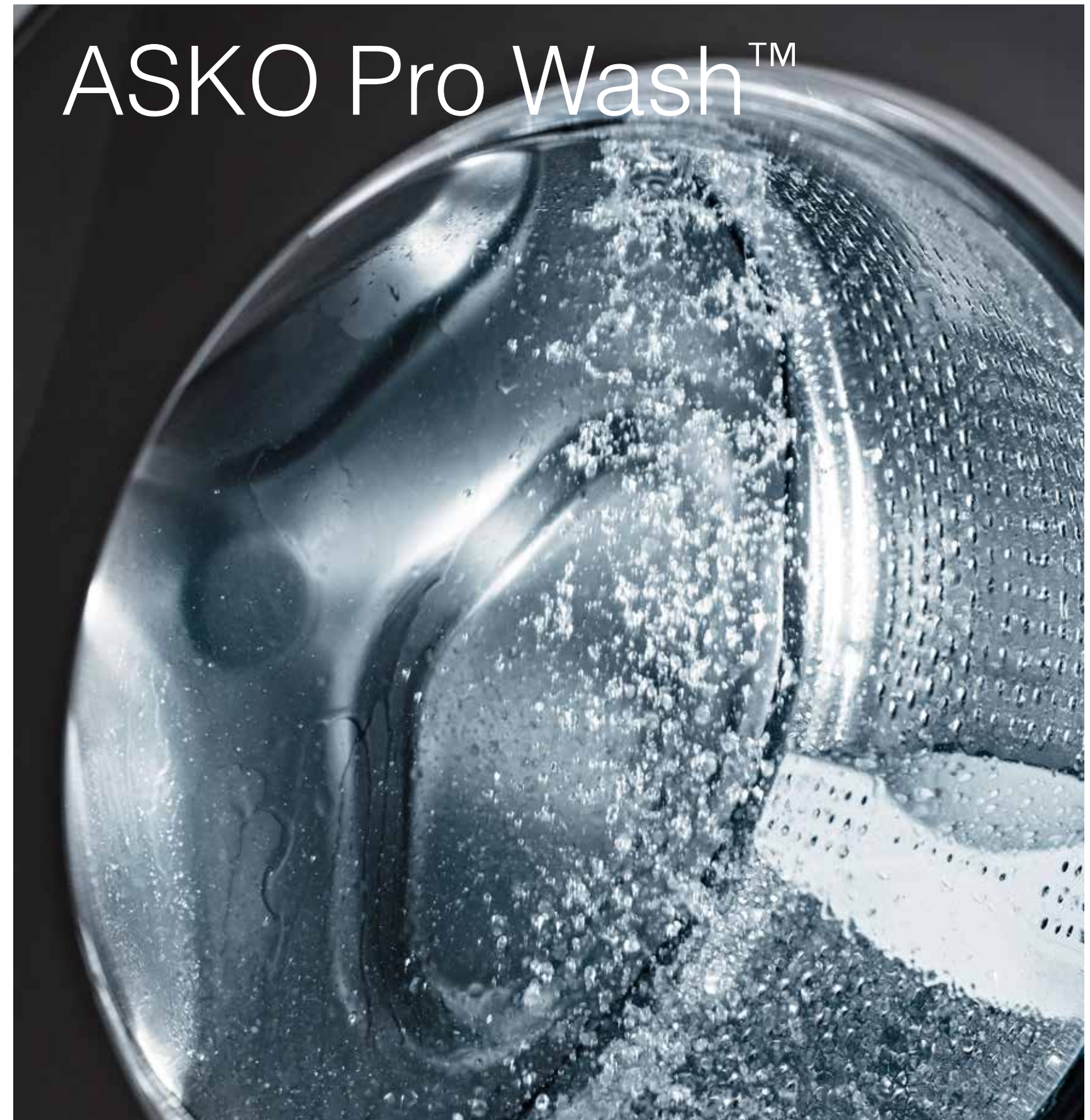
# Steel Seal™



## Hygienic Steel Seal™ door

A common feature of all commercial washing machines, whether they are used in hotels, beauty salons or retirement homes, is that they have no rubber bellow. And there's good reason. Eliminating a rubber door seal that can degrade over time and trap dirt and grime ensures a more hygienic wash. You will also find loading and unloading easier with the Steel Seal™ door solution. All ASKO domestic washers have this long-lasting door solution.

# ASKO Pro Wash™



## ASKO Pro Wash™ provides extra washing power

Instead of just relying on the water at the bottom of the drum, the ASKO Pro Wash™ system actively circulates the water and detergent from the bottom of the drum to the top where two nozzles spray the mix over the inner drum which is then guided by the lifters and eventually sprayed onto the load. This means the load is soaked faster, which enables superb washing and rinsing performance even with very short washing cycles\*.

\*W4086PW only



### Vibration-free spinning

Our contribution to better living conditions is spelled Quattro Construction™. This is a unique yet simple system consisting of four shock absorbers that transfer the vibrational energy from the outer drum to the bottom plate of the machine.

In fact, the entire construction stands inside the casing and spinning at even maximum RPM can be achieved virtually free of vibrations.



### Tough on dirt and gentle on fabrics

The hourglass-shaped and removable lifters guide the load to the gentler central area of the drum and effectively remove large debris, such as dirt and gravel, to the larger holes at the edge of the drum. Active Drum™ is perfectly balanced to ensure the best possible washing and rinsing performance while still ensuring minimal wear on fabrics.



### Strong and silent. A happy union!

Our washing machines are fitted with brushless motors to ensure that the machine can cope with the highest spin speeds whilst reducing noise levels and increasing the life of the machine. High efficiency ensures reduced energy consumption. The motor also allows for speed control, enabling further development of washing programs.

# Washing Machines



## W2084C.W

User interface: Classic  
Type: Front-load  
Colour: White

**\$1,599**

### Technical data/consumption

- Capacity: 8 KG
- Energy stars: 4.5
- Water stars: 4.5
- Drum volume: 60 L
- Spin speed: 1400 RPM

### Construction & Performance

- Four shock absorbers for vibration-free spinning (Quattro construction™)
- Hygienic door seal without rubber bellow (Steel Seal™)
- Long-lasting stainless steel outer/inner drum material

### Modes

Normal, Green, Intensive

### Use & Flexibility

- FSTN display - white background with black digits.
- Programs for Dark fabrics, Wool and Mixed fibres
- Anti-crease function
- Super rinse and High water level options
- Delayed start option



## W4086P.W

User interface: Logic  
Type: Front-load  
Colour: White

**\$1,999**

### Technical data/consumption

- Capacity: 8 KG
- Energy stars: 5
- Water stars: 5
- Drum volume: 60 L
- Spin speed: 1600 RPM

### Construction & Performance

- Unique full steel control panel
- Four shock absorbers for vibration-free spinning (Quattro construction™)
- Hygienic door seal without rubber bellow (Steel Seal™)
- Long-lasting stainless steel outer/inner drum material
- Dual soaking with ASKO Pro Wash™ system

### Modes

Normal, Green, Allergy, Speed, Intensive.

### Use & Flexibility

- FSTN display - black background with white digits
- Programs for Dark fabrics, Wool and Mixed fibres
- Special programs for Jeans, Shirts, Bedding and Hygienic wash
- Anti-crease function
- Super rinse and High water level options
- Delayed start option



## W4086C.W

User interface: Logic  
Type: Front-load  
Colour: White

**\$1,799**

### Technical data/consumption

- Capacity: 8 KG
- Energy stars: 4.5
- Water stars: 4.5
- Drum volume: 60 L
- Spin speed: 1600 RPM

### Construction & Performance

- Unique full steel control panel
- Four shock absorbers for vibration-free spinning (Quattro construction™)
- Hygienic door seal without rubber bellow (Steel Seal™)
- Long-lasting stainless steel outer/inner drum material

### Modes

Normal, Green, Allergy, Speed, Intensive.

### Use & Flexibility

- FSTN display - black background with white digits.
- Programs for Dark fabrics, Wool and Mixed fibres
- Special programs for Jeans, Shirts, Bedding and Hygienic wash
- Anti-crease function
- Super rinse and High water level options
- Delayed start option



## W4104C.W

User interface: Logic  
Type: Front-load  
Colour: White

**\$2,399**

### Technical data/consumption

- Capacity: 10 KG
- Energy stars: 5
- Water stars: 5
- Drum volume: 80 L
- Spin speed: 1400 RPM

### Construction & Performance

- Unique full steel control panel
- Four shock absorbers for vibration-free spinning (Quattro construction™)
- Hygienic door seal without rubber bellow (Steel Seal™)
- Long-lasting stainless steel outer/inner drum material

### Modes

Normal, Green, Allergy, Speed, Intensive

### Use & Flexibility

- FSTN display - black background with white digits
- Programs for Dark fabrics, Wool and Mixed fibres
- Special programs for Jeans, Shirts, Bedding and Hygienic wash
- Anti-crease function
- Super rinse and High water level options
- Delayed start option

# Tumble dryers



ASKO

BUTTERFLY DRYING  
HEAT PUMP



# Laundry care starts with the right program

Other manufacturers offer a few programs that you as a consumer must adapt to suit different fabrics, materials and situations. We have a completely different philosophy and want you to spend as little time as possible in the laundry room. This is why we have created a large number of programs that reflect different types of clothes, fabrics and situations. Choose the simple and safe way to dry your clothes. Below we present some examples.



## Bedding

For drying large items such as double sheets and duvet covers. This program uses a low temperature, more time and reverse drum movements to prevent the laundry from bundling.



## Silk & Wool

Silk and wool fabrics shouldn't be washed too often. Use the Silk & Wool program to loosen up and refresh the garments\*.

\*Excludes T208C.W



## Shirts

A program for shirts and blouses that dries at a low temperature with reverse drum movements. The program runs until the fabric is almost dry, with just a small amount of moisture remaining to prevent creasing\*.

\*T408HD.W and T410HD.W only



## Sportswear

A program for drying clothing with membranes, such as waterproof and breathable fabrics that require gentle care. This program is also ideal for sportswear made of mixed materials. A low temperature and more time are used to ensure that the load is completely dry throughout\*.

\*T408HD.W and T410HD.W only



## Conditioning

A program for the thermal activation and optimisation of waterproofing agents used in the Conditioning program in the washer. This is a short program with a high temperature to ensure optimal waterproofing of the fabric\*.

\*T408HD.W and T410HD.W only



## Quick Pro

With this program you can get your wash completely dry in under an hour.



## There's always room for a heat pump dryer

ASKO's heat pump dryers are closed systems in which the air constantly circulates inside the tumble dryer, making it possible to install them in confined spaces, with little incoming air. Easy to integrate and install.

## How can a heat pump be gentle on your clothes?

The air is dehumidified with the help of an evaporator instead of heat only, which means that lower temperatures can be used in the drying process. This, in turn, makes the drying gentler on fabrics without any loss in drying capacity or effectiveness. As well as gentler drying, the heat pump dryer also reduces the risk of clothes shrinking and even very sensitive fabrics can be dried.



### Dry with more air and less heat

To dry clothes quickly and gently, you must use the air that circulates in the drum as efficiently as possible. Our two lifters have a high and a low side placed on opposite sides of the drum. The clothes will thus fall irregularly in the drum which prevents them from bundling, allowing better air circulation through the clothes.

### A Soft Drum™ made of stainless steel

Soft Drum™ is a solution developed to enhance air flow around the load, thereby increasing the drying effect. The circular indentations with bevelled edges also have a cushioning effect that reduces wear and tear on fabrics. The new drum design allows for even and gentle drying with both small and large loads.

# Protect your dryer from lint!



## Lint Trap

The Lint Trap™ is placed in the door and is designed to be easy to empty and clean. Adopt the habit of always checking that the Lint Trap™ is empty before tumble drying. Always empty it after tumble drying.

On all dryers



## Front Filter

The Front Filter is placed in the cooling air inlet for the condenser and keeps the fan wheel free from dust. This additional filter will extend the condenser unit cleaning interval and ensure the best possible performance over time.

On condenser dryers



## Mesh filter

The mesh filter is one of two filters that provides extra protection for the condenser in our heat pump dryers. This filter traps slightly smaller particles than the Lint Trap™. The mesh filter is simply cleaned with water.

On heat pump dryers



## Foam filter

As a final step before the air hits the condenser the foam filter traps the smallest dust particles. The foam filter is easy to clean in a washing machine without detergent and softener.

On heat pump dryers

## Drying result guaranteed

Lint is the tumble dryer's worst enemy and will inevitably lead to longer drying times and other problems. To prevent lint from getting into the tumble dryer, we have designed the Multi Filter System™. This is a filter system of five different filters that ensures all lint and even smaller particles are trapped before they reach the sensitive inner parts of the tumble dryer.



### A light that welcomes you

All of our Logic tumble dryers are equipped with an interior LED light that provides ambient light with a premium feeling. It is nice to be able to see those items that can easily be left at the back of the dryer. The porthole is also illuminated for easy loading and unloading.



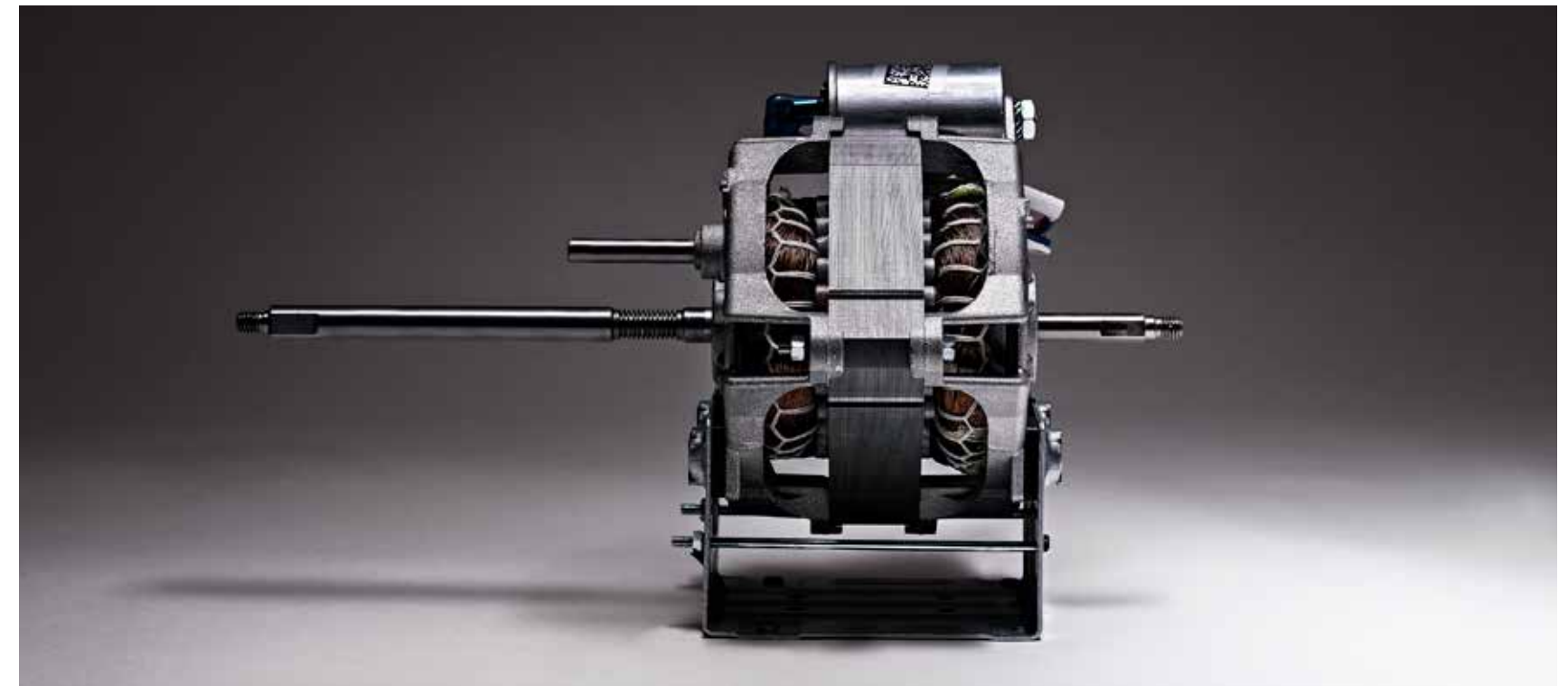
### I am strong and good looking

At ASKO, we believe not only that stainless steel will outlast plastic, but also that quality materials will always look better in years to come. Eventually, galvanised steel rusts, so we decided to make our drums out of stainless steel. That's why our tumble dryers really do last longer.



### We love ball bearings

Ball bearings are good things. They make things spin easier and last longer, so we equip our tumble dryer with up to five of them: one on the drum shaft, two to rest the drum on, and two ball bearings to support the motor.



### Long lasting motors

We have fitted our tumble dryers with extra reliable and quiet brushless motors. No brushes means a part less that can break, it also makes the motor quieter.

# Tumble dryers



## T208C.W

User interface: Classic  
Type: Condenser dryer  
Colour: White

**\$1,599**

### Capacity/consumption

- Capacity: 8 KG
- Energy stars: 2

### Construction & Performance

- Caring Soft Drum™
- Butterfly Drying™ for effective drying
- Long-lasting and quiet brushless motor
- Lint and dust protection with easy to use Lint Trap
- Reduced cleaning frequency of condenser with unique Front Filter

### Use & Flexibility

- 6 programs
- Programs for Bedding
- Drying for fragile fabrics with and without heat
- Anti-crease function
- Delayed start option



## T408HD.W

User interface: Logic  
Type: Heat pump dryer  
Colour: White

**\$2,199**

### Capacity/consumption

- Capacity: 8 KG
- Energy stars: 8

### Construction & Performance

- Caring Soft Drum™
- Butterfly Drying™ for effective drying
- Long lasting and quiet brushless motor
- Interior light for convenient loading and unloading
- Convenient self-cleaning condenser filter
- Lint and dust protection with 4 piece Multi filter system

### Use & Flexibility

- 14 programs
- Programs for Jeans, Terry and Down
- Programs for Bedding and Silk & Wool
- Drying for fragile fabrics with and without heat
- Conditioning program for activation of waterproof agents
- Anti crease function
- Delayed start option



## T208H.W

User interface: Classic  
Type: Heat pump dryer  
Colour: White

**\$1,999**

### Capacity/consumption

- Capacity: 8 KG
- Energy stars: 7

### Construction & Performance

- Caring Soft Drum™
- Butterfly Drying™ for effective drying
- Long-lasting and quiet brushless motor
- Convenient self-cleaning condenser filter
- Lint and dust protection with 4-piece Multi-filter system

### Use & Flexibility

- 7 programs
- Programs for Bedding and Silk & Wool
- Drying for fragile fabrics with and without heat
- Anti-crease function
- Delayed start option



## T410HD.W

User interface: Logic  
Type: Heat pump dryer  
Colour: White

**\$2,599**

### Capacity/consumption

- Capacity: 10 KG
- Energy stars: 9

### Construction & Performance

- Caring Soft Drum™
- Butterfly Drying™ for effective drying
- Long-lasting and quiet brushless motor
- Interior light for convenient loading and unloading
- Convenient self-cleaning condenser filter
- Lint and dust protection with 4-piece Multi-filter system

### Use & Flexibility

- 14 programs
- Programs for Jeans, Terry and Down
- Programs for Bedding and Silk & Wool
- Drying for fragile fabrics with and without heat
- Conditioning program for activation of waterproofing agents
- Anti-crease function
- Delayed start option

# Dishwashers





### A design that reveals ASKO's inner values

ASKO dishwashers are made of steel. This has been a well-known fact for decades and when you open the door, you will see more steel than in any other dishwasher on the market. With our new generation of dishwashers we want to emphasise this fact even more. Take a look at the door and you will see only high-quality steel with no division between door and panel. It expresses itself as a sturdy and reliable machine, yet retains elegant, sleek and sophisticated lines stemming from the minimalism of the Scandinavian mindset.





### Gracious full-size steel door

The new generation of dishwashers has a true full front with no division between door and panel. The front is made from a single piece of stainless steel plate and each corner is carefully folded and welded.

Delicate tact switches in pure metal provide tactile feedback together with direct visual response in the two-row display.



### Silent night

For all of us who let the dishwasher work while we sleep, we have created night mode. With this mode the water pressure in the spray arms is lowered, reducing the noise level by as much as 2 dB compared to the tested value. This mode is also perfect for open plan solutions with seamless kitchen and living spaces.

# Designed for different situations

We have created different modes to make it easy for you to adapt your favourite dishwashing program to new situations. Instead of choosing from a long list of programs and then a long list of different options and settings, you can now simply choose one appropriate mode and press start.

### Green mode

Green mode saves both water and energy. The temperature is lowered and each stage of the cycle is extended to save water and achieve the same perfect washing results as a normal program.

### Speed mode

If you want your dishes ready faster, simply select speed mode to reduce the program time by 50%. To achieve the best possible washing results in the time available, more water and energy are used.

### Intensive mode

Select this mode when you have dirty dishes with dried food. Intensive mode increases the spray arm pressure and more heat and water are used during the cycle.





## Quick Pro Wash explained

After starting and the first water intake, the water is heated to approximately 65°C and kept there for up to three hours. The washing cycle then starts from this pre-heated stand-by mode, enabling very short program times down to 15 minutes.

## Quick Pro Wash

This is a program inspired by the world of professional dishwashers where speed is the key. The Quick Pro Wash program is perfect when you know that you will need the same crockery, glasses or other utensils several times on the same occasion.



## Who cleans the dishwasher?

The self-cleaning program ensures that the tub, water recycling tank and spray system are thoroughly cleaned. Regular cleaning is essential for both washing performance and the machine's longevity. Use standard detergent, citric acid or a special dishwasher cleaning agent.

## This is Orrefors

Since 1898, the Orrefors brand has been producing utility glass and art glass from crystal. At the glass works in Kosta, skilled glassblowers work alongside many of Sweden's foremost designers to craft and develop new techniques and design.

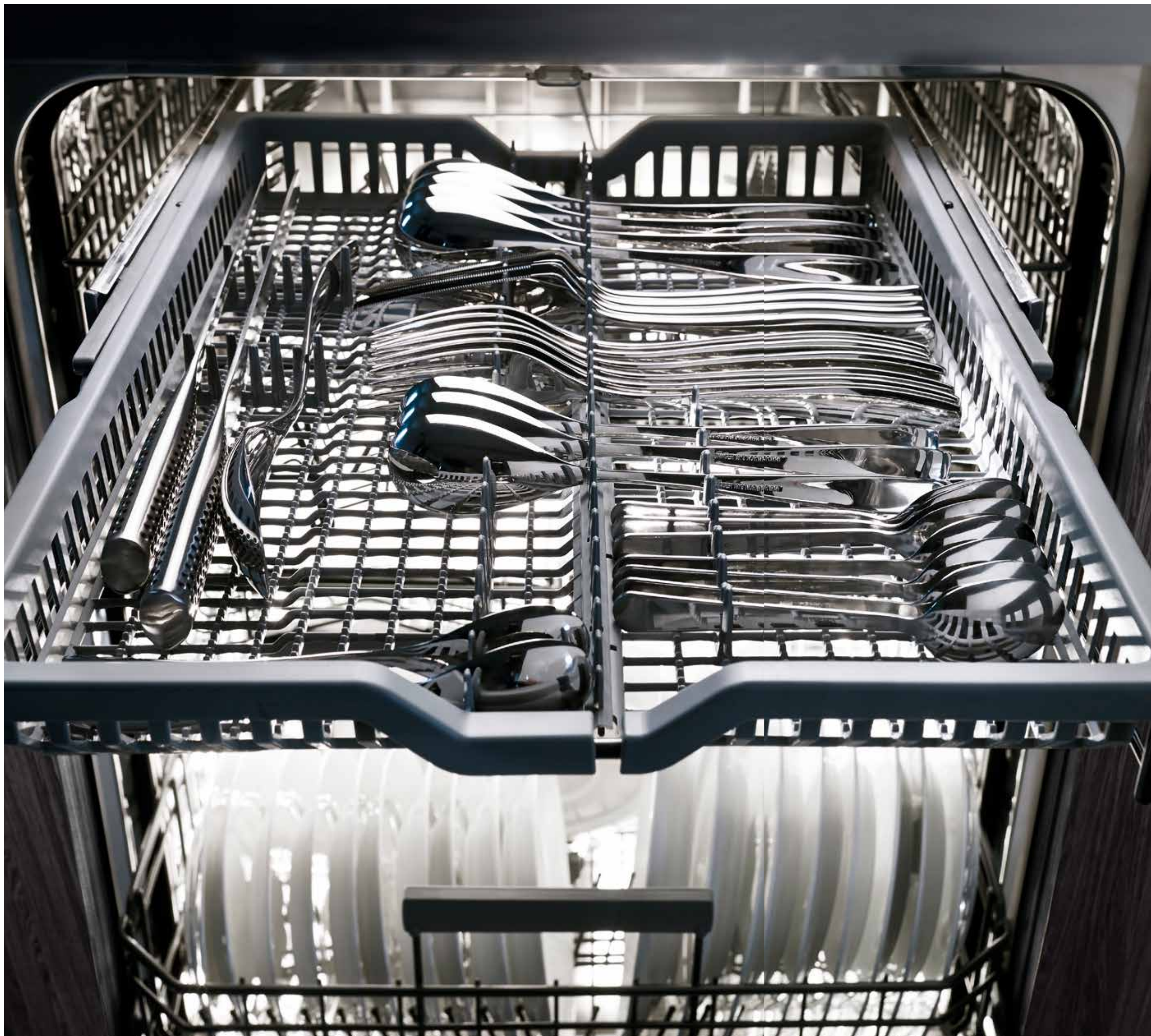
Orrefors 



## Orrefors recommends ASKO

Every time you wash Orrefors crystal glasses in an ASKO dishwasher, you are also nurturing an important piece of Swedish innovation. Orrefors and ASKO both have their roots firmly planted in the Scandinavian design tradition and both brands are represented the world over. Our shared heritage, together with the fact that Orrefors crystal glasses are washed every day in our dishwashers, has enabled us to embrace one another in a newly established partnership. One of the goals of this partnership is to finally put an end to the myth that crystal glasses cannot be cleaned in a dishwasher. While this is true for some dishwashers, crystal can certainly be washed in an ASKO. The secret is the Crystal glass program, which ensures that the water temperature increases gradually and is then maintained evenly, with a difference of just  $\pm 1^{\circ}\text{C}$ . Place your valuable crystal in the secure wine glass holders in the upper basket. From now on, it is safer to wash your sensitive crystal glasses in an ASKO than by hand.





## Flexi Tray™ with top performance

On top of it all is a flexible top cutlery tray, Flexi Tray™, with its own spray arm and space for sixteen place settings of cutlery, or other utensils. The width of the Flexi Tray™ has been optimised to make room for tall glasses in the upper basket. If more space is needed, simply take it out\*.

\*Excludes DF1643



## Instant Lift™ - smart height adjustment

With our unique Instant Lift™ height adjustment system, you can adjust the top cutlery tray for higher or lower loads and free up more space in the upper basket through a simple operation. In the raised position, the space is 40 mm and in the lowered position it can be up to 58 mm. Simple, smart and flexible\*.

\*Excludes DF1643



### Flexibility and freedom to load what you want

Our exclusive upper baskets can be any way you want them. Place wine glasses in the folding and detachable wine glass holders. Put plates in the plate rack or fold down all the support and load the entire basket with

gratin dishes. Fold up all the support once again and fill with just glasses. If you need more space in the baskets below, it can be raised up easily and then lowered again when you want to load taller objects.



## Double your loading options

The pin rows and glass supports are needed to ensure that your china remains safe while being washed. But sometimes they can be in the way, especially when you need to load various types of dishes in the same basket - which is more often than not. That is why we have made sure that the pin rows and one of the wine glass racks in our upper baskets can be divided. This allows you to load different items in one basket and even in the same row.



Extra-wide knife supports and knife guard.



Light Lock™ for lightweight objects like plastic bowls.  
\*DBI654IB.S, DBI654IBXXL.S, DBI865IGXXL.S and DFI666GXXL only



### Perfect for breakfast bowls and utensils

We have created a space for dishes that are too small or whose shapes are too irregular for the lower basket or take too much space in the upper basket, such as

breakfast bowls, ladles and whisks. No matter how you define 'hard to place', you will always find a place for it in our unique and practical middle basket.

\*DBI865IGXXL.S and DFI666GXXL only





## Double performance with Twin Tubes™

ASKO's dishwashers are renowned for their exceptional washing results. The secret is our carefully designed and tested rinsing system, comprising no fewer than 11 spray zones\* that cover every corner of the dishwasher compartment. Each basket also has its own rinsing system, such as the middle basket where you will find Twin Tubes™, which is a dedicated spray zone for the middle basket.

\*DBI865IGXXL S and DFI666GXXL only



The Twin Tubes™ connectors are fitted with automatic non-return valves.



Ergonomic with integrated handle.



Smooth and silent telescopic sliding rails.

\* When equipped with bowl inserts on both sides of middle basket.



### Strong and flexible lower basket

The most exclusive lower baskets in an ASKO dishwasher are also the most flexible and stable on the market. Because all of the parts in our baskets are made from high quality steel, we are able to create flexible basket solutions

that are extremely durable and easy to use. We harness the strength and stability to maximise the weight load and to protect sensitive dishes.

The wine glass shelf is not included.

### Bulky or delicate

The lower basket is normally used to wash heavier items, such as plates, dishes, ovenware, pots and pans. We, however, do not limit ourselves in that way. Instead, we offer just as much flexibility and as many possibilities for combined washing as with all other baskets.

Our exclusive lower baskets offer maximum flexibility with divisible and foldable pin rows everywhere. The adjustable plate supports ensure that you can safely wash both small dishes and plates measuring up to 40 cm.



### Two additional power sources


To improve your dishwasher performance even further, we have fitted our dishwashers with two separate high-pressure Power Zones™ for the lower basket. Wide Spray™ for extra efficient washing of pots & pans and Jet Spray™ for washing of tall, narrow objects such as baby

bottles or vases. Wide Spray™ creates a pressurised water jet while the nozzle generates a wide dispersal, thereby increasing the amount of water on the surface of the dishes. The result is efficient cleaning of really dirty dishes.

### Hygiene program for deep cleaning

The hygiene program can be used for effective cleaning of baby bottles and other objects that can be good to keep extra clean. To prevent the growth of bacteria and remove odours from chopping boards, for example, we

raise the temperature to 70°C in the main wash and final rinse programs. This is also ideal for thorough washing of jars for people who make their own jam or marmalade. The result is extra clean and hygienic.



## One of the world's largest loading capacities

With the improvements we have made in our rack systems, our XXL dishwashers can wash as many as 16 place settings with perfect cleaning and drying results. Our advanced basket systems also offer the flexibility for you to load large and odd shaped items such as pots, vases and serving dishes with ease.

## 16 place settings, how much is that?

- |                 |                   |
|-----------------|-------------------|
| 16 Flat plates  | 16 Tablespoons    |
| 16 Deep plates  | 16 Dessert spoons |
| 16 Small plates | 16 Teaspoons      |
| 16 Saucers      | 3 Bowls           |
| 16 Cups         | 1 Meat dish       |
| 16 Glasses      | 2 serving spoons  |
| 16 Forks        | 1 serving fork    |
| 16 Knives       |                   |

---

Total: 183 individual items



### One of the world's largest loading capacities

Our XL and XXL dishwashers have one of the largest capacities on the market. The internal loading height of 58/54 cm makes room for larger plates and taller glasses.

It also means you can load 40% more compared to a standard dishwasher. The smart four level Flexirack™ system affords endless possibilities.

	Loading height	Max load	Tallest glass in upper / lower basket*	Largest plate in lower basket**	AU Star ratings: Energy / Max water rating***
<b>XXL 86 cm</b>	58 cm	15/16 pls	27 cm	39 cm	3.5 / 6
<b>XL 82 cm</b>	54 cm	14/15 pls	25 cm	35 cm	3.5 / 5

Our dishwashers are the largest ones on the inside but not on the outside. You don't have to worry that they won't fit into your kitchen. They will fit into cabinets of 863-913 mm (XXL) and 823-873 mm (XL).

\* The glass must be tilted

\*\* Applies to XXL dishwashers, with the middle basket removed and the upper basket in the topmost position, as the distance between the lower basket and the upper basket is then 39 cm, allowing a plate with a diameter of 39 cm to fit as the lower edge protrudes a little through the bottom of the basket. The plate must be placed between two pin rows.

\*\*\* 16 place settings and 6 star water rating in DBI665IGXXL and DF1666GXXL. Please refer to technical specifications for more details.

# Built in dishwashers



## DBI654IB.S

Size: XL, 82 cm  
 Type: Built-in, top display  
 Colour: Stainless steel

**\$2,099**

### Capacity/consumption

- 15 place settings
- Energy stars: 3.5
- Water stars: 5
- Noise level 42 dB(A)

### Construction & Performance

- Long lasting welded container
- 8Steel™
- Stainless steel spray arms
- No more pre-rinsing with Super Cleaning System™
- Jet Spray and Wide Spray for pots, pans, vases and baby bottles

### Use & Flexibility

- 3 level baskets including Top cutlery tray
- Foldable and divisible pin rows and glass stands
- Light Lock™ for fixation of lightweight objects
- Height adjustable upper basket and top cutlery tray
- Vase and baby bottle stand
- 4 run modes for instant program adaption
- Quick Pro - extra short and effective program

### Programs

ECO, Auto, Daily, Time, Rinse & Hold, Plastic, Hygiene, Crystal glass, Lower/upper half, Quick Pro, Self cleaning



## DBI865IGXXL.S

Size: XXL, 86 cm  
 Type: Built in, front + top display  
 Colour: Stainless steel

**\$2,899**

### Capacity/consumption

- 16 place settings
- Energy stars: 3.5
- Water stars: 6
- Noise level 40 dB(A)

### Construction & Performance

- Long lasting welded container
- 8Steel™
- Stainless steel spray arms
- Recycling water tank for water reduction
- No more pre-rinsing with Super Cleaning System™
- Jet Spray and Wide Spray for pots, pans, vases and baby bottles
- Dry even plastic with Turbo Drying Express™

### Use & Flexibility

- 4 level baskets including top cutlery tray and middle basket
- Height adjustable upper basket and top cutlery tray
- Foldable and divisible pin rows and glass stands
- Light Lock™ for fixation of lightweight objects
- Vase and baby bottle stand
- 4 LED lights
- 4 run modes for instant program adaption
- Quick Pro - extra short and effective program

### Programs

ECO, Auto, Daily, Time, Rinse & Hold, Plastic, Hygiene, Crystal glass, Lower/upper half, Quick Pro, Self cleaning



## DBI654IBXXL.S

Size: XXL, 86cm  
 Type: Built-in, top display  
 Colour: Stainless steel

**\$2,199**

### Capacity/consumption

- 15 place settings
- Energy stars: 3.5
- Water stars: 5
- Noise level 42 dB(A)

### Construction & Performance

- Long lasting welded container
- 8Steel™
- Stainless steel spray arms
- No more pre-rinsing with Super Cleaning System™
- Wide Spray for pots and pans

### Use & Flexibility

- 3 level baskets including top cutlery tray
- Light Lock™ for fixation of lightweight objects
- Foldable and divisible pin rows and glass stands
- Height adjustable upper basket and top cutlery tray
- Vase and baby bottle stand
- 4 run modes for instant program adaption
- Quick Pro - extra short and effective program

### Programs

ECO, Auto, Daily, Time, Rinse & Hold, Plastic, Hygiene, Crystal glass, Lower/upper half, Quick Pro, Self cleaning



# Fully integrated dishwashers



## DFI643

Size: XL, 82 cm  
 Type: Fully integrated for custom door installation, top display  
 Colour: Not applicable

**\$1,499**

### Capacity/consumption

- 14 place settings
- Energy stars: 3.5
- Water stars: 4.5
- Noise level 44 dB(A)

### Construction & Performance

- Long lasting welded container
- 8Steel™
- Stainless steel spray arms
- No more pre-rinsing with Super Cleaning System™
- Wide Spray for pots and pans
- Turbo Drying™

### Use & Flexibility

- 2 level baskets
- Foldable pin rows
- 4 run modes for instant program adaption
- Quick Pro - extra short and effective program

### Programs

ECO, Auto, Daily, Time, Rinse & Hold, Plastic, Hygiene, Crystal glass, Lower/upper half, Quick Pro, Self cleaning



## DFI654BXXL

Size: XXL, 86 cm  
 Type: Fully integrated for custom door installation, top display  
 Colour: Not applicable

**\$2,199**

### Capacity/consumption

- 15 place settings
- Energy stars: 3.5
- Water stars: 5
- Noise level 42 dB(A)

### Construction & Performance

- Long lasting welded container
- 8Steel™
- Stainless steel spray arms
- No more pre-rinsing with Super Cleaning System™
- Wide Spray for pots and pans

### Use & Flexibility

- 3 level baskets including top cutlery tray
- Height adjustable upper basket and top cutlery tray
- Foldable pin rows
- 4 run modes for instant program adaption
- Quick Pro - extra short and effective program

### Programs

ECO, Auto, Daily, Time, Rinse & Hold, Plastic, Hygiene, Crystal glass, Lower/upper half, Quick Pro, Self cleaning



## DFI654B

Size: XL, 82 cm  
 Type: Fully integrated for custom door installation, top display  
 Colour: Not applicable

**\$2,099**

### Capacity/consumption

- 15 place settings
- Energy stars: 3.5
- Water stars: 5
- Noise level 42 dB(A)

### Construction & Performance

- Long lasting welded container
- 8Steel™
- Stainless steel spray arms
- No more pre-rinsing with Super Cleaning System™
- Wide Spray for pots and pans

### Use & Flexibility

- 3 level baskets including top cutlery tray
- Height adjustable upper basket and top cutlery tray
- Foldable pin rows
- 4 run modes for instant program adaption
- Quick Pro - extra short and effective program

### Programs

ECO, Auto, Daily, Time, Rinse & Hold, Plastic, Hygiene, Crystal glass, Lower/upper half, Quick Pro, Self cleaning



## DFI666GXXL

Size: XXL, 86 cm  
 Type: Fully integrated for custom door installation, top display  
 Colour: Not applicable

**\$2,899**

### Capacity/consumption

- 16 place settings
- Water stars: 3.5
- Energy stars: 6
- Noise level 38 dB(A)

### Construction & Performance

- Long lasting welded container
- 8Steel™
- Stainless steel spray arms
- Recycling water tank for water reduction
- No more pre-rinsing with Super Cleaning System™
- Jet Spray and Wide Spray for pots, pans, vases and baby bottles
- Dry even plastic with Turbo Drying Express™

### Use & Flexibility

- 4 level baskets including Top cutlery tray and middle basket
- Height adjustable upper basket and top cutlery tray
- Foldable and divisible pin rows and glass stands
- Light Lock™ for fixation of lightweight objects
- Vase and baby bottle stand
- 4 LED lights
- 4 run modes for instant program adaption
- Quick Pro - extra short and effective program

### Programs

ECO, Auto, Daily, Time, Rinse & Hold, Plastic, Hygiene, Crystal glass, Lower/upper half, Quick Pro, Self cleaning



## Technical specifications

### WASHING MACHINES

GENERAL DESCRIPTION	W2084C.W	W4086C.W	W4086P.W	W4104C.W
Colour	White	White	White	White
Installation type	Freestanding	Freestanding	Freestanding	Freestanding
Interface type	Classic (FSTN)	Logic (FSTN)	Logic (FSTN)	Logic (FSTN)
Capacity cotton (kg)	8	8	8	10
Maximum spin speed (rpm)	1400	1600	1600	1400
Noise level washing / Spinning (dB (A))	52/75	48/73	48/73	47/72
Energy stars	4.5	4.5	5	5
Water stars	4.5	4.5	5	5
Water consumption (l)	59	60	56	68
Total estimated annual energy consumption (kWh)	253	244	216	266
<b>CONSTRUCTION</b>				
Quattro construction	■	■	■	■
Steel Seal™	■	■	■	■
Cast iron counterweights	■	■	■	■
Active Drum technology	■	■	■	■
Pro Wash system	-	-	■	-
Auto Dose system	-	-	-	-
ECO connection	-	-	-	-
<b>PROGRAMS</b>				
Everyday wash / Standard cotton	■ / ■	■ / ■	■ / ■	■ / ■
Mix & synthetic / Wool & hand	■ / ■	■ / ■	■ / ■	■ / ■
Dark wash / Time program	■ / ■	■ / ■	■ / ■	■ / ■
Auto / Quick	■ / ■	■ / ■	■ / ■	■ / ■
Heavy / Easy care	■ / ■	■ / ■	■ / ■	■ / ■
Jeans/ Shirts / Hygiene	- / - / -	■ / ■ / ■	■ / ■ / ■	■ / ■ / ■
Quick Pro	■	■	■	■
Bedding / Allergy cotton / Allergy synthetic	- / - / -	■ / ■ / ■	■ / ■ / ■	■ / ■ / ■
<b>RUN MODES</b>				
Green mode	■	■	■	■
Allergy mode	-	■	■	■
Speed mode	-	■	■	■
Intensive mode	■	■	■	■
Night mode	-	-	-	-
<b>OPTIONS</b>				
Pre-wash	■	■	■	■
High water level	■	■	■	■
Anti-crease	■	■	■	■
Super rinse	■	■	■	■
Delayed start	■	■	■	■
<b>TECHNICAL DATA</b>				
Max connection rating (W)	2200	2200	2200	2200
Voltage (V)	220-240	220-240	220-240	220-240
Frequency (Hz)	50	50	50	50
<b>DIMENSIONS</b>				
Height of the product (mm)	850	850	850	850
Width of the product (mm)	595	595	595	595
Depth of the product (mm)	580	580	580	695
Net weight (kg)	75	76	76	88
Drum volume (l)	60	60	60	80

## Technical specifications

### DRYERS

GENERAL DESCRIPTION	T208C.W	T208H.W	T408HD.W	T410HD.W
Colour	White	White	White	White
Installation type	Freestanding	Freestanding	Freestanding	Freestanding
Interface type	Classic (FSTN)	Classic (FSTN)	Logic (FSTN)	Logic (FSTN)
Capacity cotton (kg)	8	8	8	10
Dryer type	Condenser	Heat pump	Heat pump	Heat pump
Noise (dB (A))	65	64	64	64
Energy stars	2	7	8	9
Total annual energy consumption (kWh)	353	150	119	130
<b>CONSTRUCTION</b>				
Stainless steel drum	■	■	■	■
Steel base and steel feet	■	■	■	■
Brushless motor and drain pump	■	■	■	■
Butterfly drying with Air Lift paddles	■	■	■	■
Soft Drum	■	■	■	■
Light in drum	-	-	■	■
<b>FILTERS</b>				
Lint Trap in door	■	■	■	■
Mesh filter in front of condenser	-	■	■	■
Foam filter in front of condenser	-	■	■	■
Front Filter	■	-	-	-
<b>PROGRAMS</b>				
Auto dry / Auto normal dry	■ / ■	■ / ■	■ / ■	■ / ■
Auto iron dry / Auto synthetic	■ / -	■ / -	■ / ■	■ / ■
Auto jeans / Auto terry / Auto down	- / - / -	- / - / -	■ / ■ / ■	■ / ■ / ■
Bedding	■	■	■	■
Silk & wool	-	■	■	■
Shirts	-	-	■	■
Sports-wear / Conditioning	- / -	- / -	■ / ■	■ / ■
Quick Pro / Airing	■ / ■	■ / ■	■ / ■	■ / ■
<b>OPTIONS</b>				
Extra dry/ Gentle dry/Anti crease	■ / ■ / ■	■ / - / ■	■ / ■ / ■	■ / ■ / ■
Setting load size	■	■	■	■
Delayed start	■	■	■	■
<b>TECHNICAL DATA</b>				
Max connection rating (W)	1950	800	800	900
Voltage (V)	220-240	220-240	220-240	220-240
Frequency (Hz)	50	50	50	50
<b>DIMENSIONS</b>				
Height of the product (mm)	845	845	845	850
Width of the product (mm)	595	595	595	595
Depth of the product (mm)	640	640	640	755
Net weight (kg)	44	57	57	57
Drum volume (l)	117	117	117	145

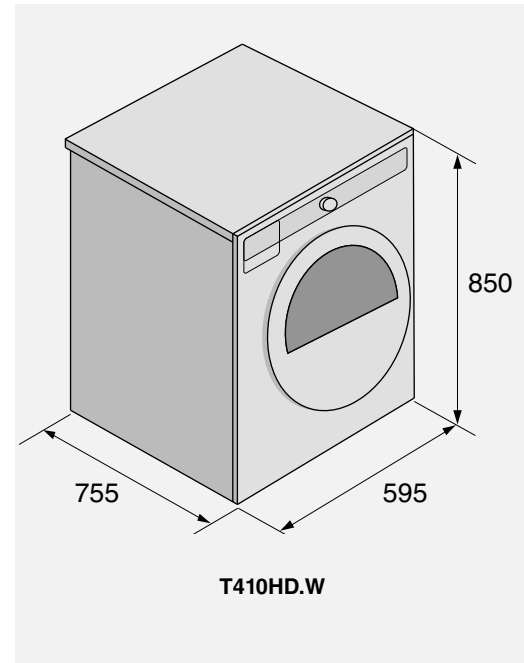
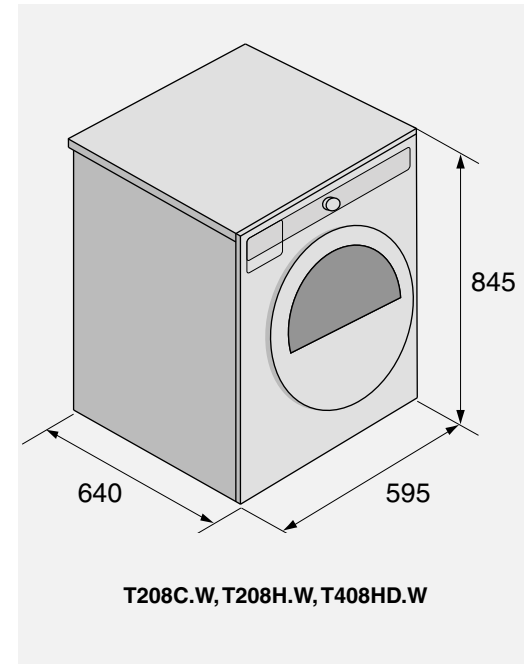
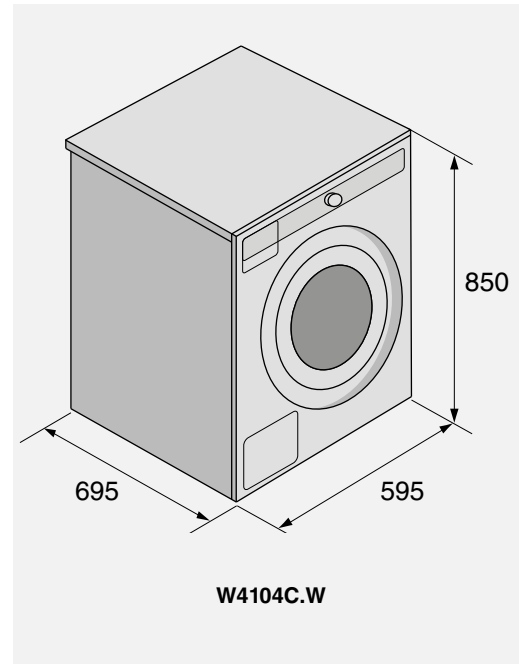
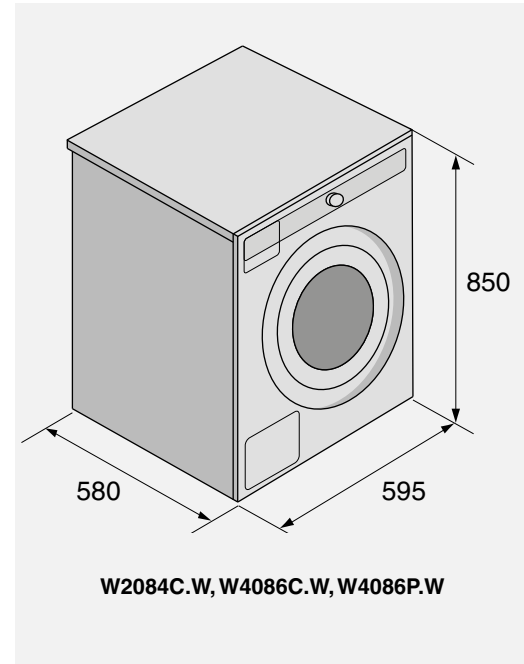


# Technical specifications

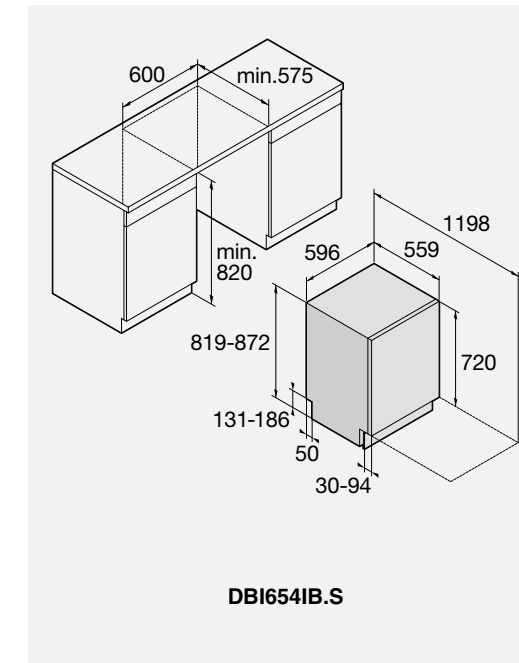
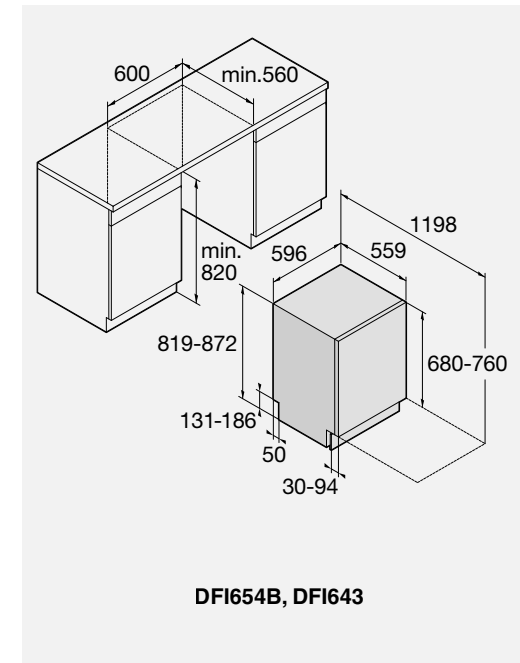
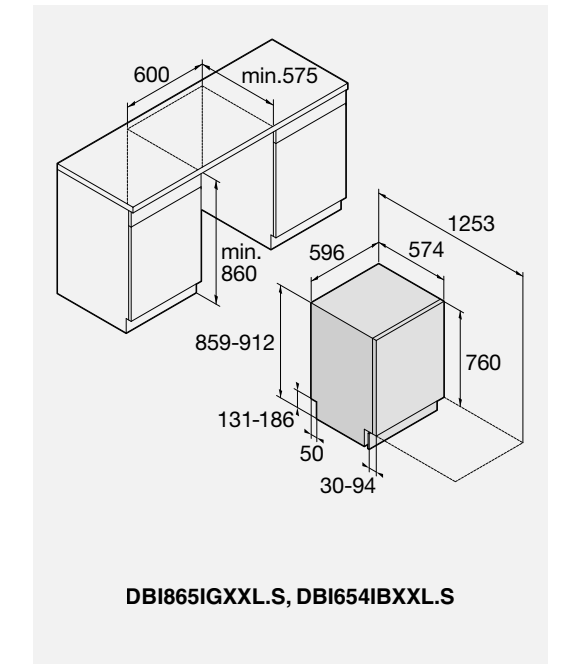
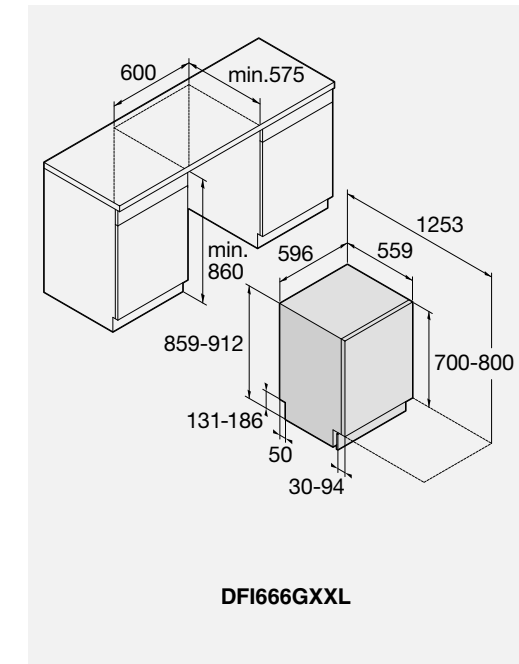
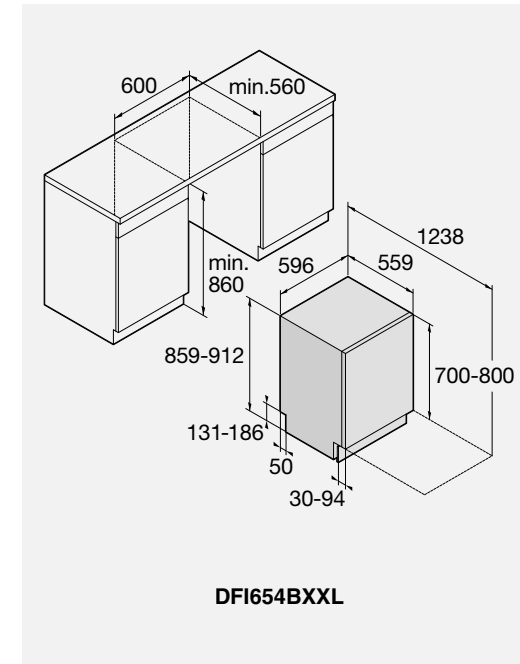
<b>BUILT IN DISHWASHERS</b>			
GENERAL DESCRIPTION	<b>DBI654IB.S</b>	<b>DBI654IBXXL.S</b>	<b>DBI865IGXXL.S</b>
Installation type	Built-in	Built-in	Built-in
Size	XL - 82 cm	XXL - 86cm	XXL - 86 cm
Colour	Stainless steel	Stainless steel	Stainless steel
Place settings	15	15	16
Noise level (dB (A))	42	42	40
Energy stars	3.5	3.5	3.5
Water stars	5	5	6
Energy consumption/cycle (kWh)	295	295	314
Water consumption/cycle (l)	12.2	12.2	10.6
<b>CONSTRUCTION &amp; PERFORMANCE</b>			
Seam welded container / 8 Steel construction	■ / ■	■ / ■	■ / ■
Stainless steel spray arms	■	■	■
Water recycling tank	-	-	■
Super Cleaning System + (SCS+)	■	■	■
Sensi Clean™ sensor	■	■	■
Number of spray arms	3	3	3
Jet Spray for tall objects / Wide Spray for pots and pans	■ / ■	■ / ■	■ / ■
Turbo Drying™ Express / Turbo Drying™	- / ■	- / ■	■ / ■
<b>USE &amp; FLEXIBILITY</b>			
Number of basket levels	3	3	4
Basket configuration	Premium	Premium	Exclusive
Top Cutlery Tray / height adjustable	■ / ■	■ / ■	■ / ■
Upper basket / height adjustable / foldable pin rows	■ / ■ / ■	■ / ■ / ■	■ / ■ / ■
Middle basket	-	-	■
Lower basket / foldable pin rows	■ / ■	■ / ■	■ / ■
Light Lock™ fixation for lightweight objects	■	■	■
Vase stand - holder for vases and baby bottles	■	■	■
Number of LED lights	-	-	4
<b>PROGRAMS</b>			
Normal / ECO / Auto	■ / ■ / ■	■ / ■ / ■	■ / ■ / ■
Daily / Time / Rinse & Hold	■ / ■ / ■	■ / ■ / ■	■ / ■ / ■
Plastic / Hygiene / Crystal glass	■ / ■ / ■	■ / ■ / ■	■ / ■ / ■
Lower half / upper half	■ / ■	■ / ■	■ / ■
Quick Pro / Self-cleaning	■ / ■	■ / ■	■ / ■
<b>OPTIONS</b>			
Extra dry / Delayed start	■ / ■	■ / ■	■ / ■
<b>MODES</b>			
Green/Speed/Night/Intensive	■ / ■ / ■ / ■	■ / ■ / ■ / ■	■ / ■ / ■ / ■
<b>DESIGN &amp; INTEGRATION</b>			
From the front adjustable rear foot	■	■	■
Min product height/depth/width (mm)	819 / 559 / 596	819 / 559 / 596	859 / 574 / 596
Min niche height/depth/width (mm)	820 / 575 / 600	820 / 575 / 600	860 / 575 / 600
Weight net (kg)	45	50	50
<b>SAFETY &amp; MAINTENANCE</b>			
Aqua Safe system	■	■	■
<b>TECHNICAL DATA</b>			
Connection rating (W)	1900	1900	1900
Rated current (A)	10	10	10
Supply voltage (V)	220-240	220-240	220-240
Frequency (Hz)	50	50	50

<b>FULLY INTEGRATED DISHWASHERS</b>				
GENERAL DESCRIPTION	<b>DFI643</b>	<b>DFI654B</b>	<b>DFI654BXXL</b>	<b>DFI666GXXL</b>
Installation type	Fully integrated	Fully integrated	Fully integrated	Fully integrated
Size	XL - 82 cm	XL - 82 cm	XXL - 86 cm	XXL - 86 cm
Colour	Not applicable	Not applicable	Not applicable	Not applicable
Place settings	14	15	15	16
Sound level (dB (A))	44	42	42	38
Energy class	3.5	3.5	3.5	3.5
Water stars	4.5	5	5	6
Energy consumption/cycle (kWh)	275	295	295	314
Water consumption/cycle (l)	12.7	12.2	12.2	10.6
<b>CONSTRUCTION &amp; PERFORMANCE</b>				
Seam welded container / 8 Steel construction	■ / ■	■ / ■	■ / ■	■ / ■
Stainless steel spray arms	■	■	■	■
Water recycling tank	-	-	-	■
Super Cleaning System + (SCS+)	■	■	-	■
Sensi Clean™ sensor	■	■	■	■
Number of spray arms / Number of spray zones	2	3	3	3
Jet Spray for tall objects / Wide Spray for pots and pans	- / ■	- / ■	- / ■	■ / ■
Turbo Drying™ Express / Turbo Drying™	- / ■	- / ■	- / ■	■ / ■
<b>USE &amp; FLEXIBILITY</b>				
Number of basket levels	2	3	3	4
Basket configuration	Premium	Premium	Premium	Exclusive
Top Cutlery Tray / height adjustable	- / -	■ / ■	■ / ■	■ / ■
Upper basket / height adjustable / foldable pin rows	■ / - / ■	■ / ■ / ■	■ / ■ / ■	■ / ■ / ■
Middle basket	-	-	-	■
Lower basket / foldable pin rows	■ / ■	■ / ■	■ / ■	■ / ■
Light Lock™ fixation for lightweight objects	-	-	-	■
Vase stand - holder for vases and baby bottles	-	-	-	■
Number of LED lights	-	-	-	4
<b>PROGRAMS</b>				
Normal / ECO / Auto	■ / ■ / ■	■ / ■ / ■	■ / ■ / ■	■ / ■ / ■
Daily / Time / Rinse & Hold	■ / ■ / ■	■ / ■ / ■	■ / ■ / ■	■ / ■ / ■
Plastic / Hygiene / Crystal glass	■ / ■ / ■	■ / ■ / ■	■ / ■ / ■	■ / ■ / ■
Lower half / upper half	■ / ■	■ / ■	■ / ■	■ / ■
Quick Pro / Self-cleaning	■ / ■	■ / ■	■ / ■	■ / ■
<b>OPTIONS</b>				
Extra dry / Delayed start	■ / ■	■ / ■	■ / ■	■ / ■
<b>MODES</b>				
Green / Speed / Night / Intensive	■ / ■ / ■ / ■	■ / ■ / ■ / ■	■ / ■ / ■ / ■	■ / ■ / ■ / ■
<b>DESIGN &amp; INTEGRATION</b>				
From the front adjustable rear foot	■	■	■	■
Min product height / depth / width (mm)	819 / 559 / 596	819 / 559 / 596	859 / 559 / 596	859 / 574 / 596
Min niche height / depth / width (mm)	820 / 575 / 600	820 / 575 / 600	860 / 575 / 600	860 / 575 / 600
Weight net (kg)	45	45	50	50
<b>SAFETY &amp; MAINTENANCE</b>				
Aqua Safe system	■	■	■	■
<b>TECHNICAL DATA</b>				
Connection rating (W)	1900	1900	1900	1900
Rated current (A)	10	10	10	10
Supply voltage (V)	220-240	220-240	220-240	220-240
Frequency (Hz)	50	50	50	50

# Installation drawings



# Installation drawings





 **ASKO**  
Inspired by Scandinavia

Phone Asko on 1300 00 2756  
or visit [www.asko.com.au](http://www.asko.com.au) for more information  
National Office • 35 Sunmore Close • Moorabbin VIC 3189

ASKO reserves the right to change specification and pricing without prior notice.