



The fitting of the appliance should only be carried out by a authorised person/licensed gasfitter. Please read the safety regulations. See the data plate for information regarding the total gas consumption, gas type and gas pressure.

Preparations for installation

Pictograms used



Important information



Gas connection



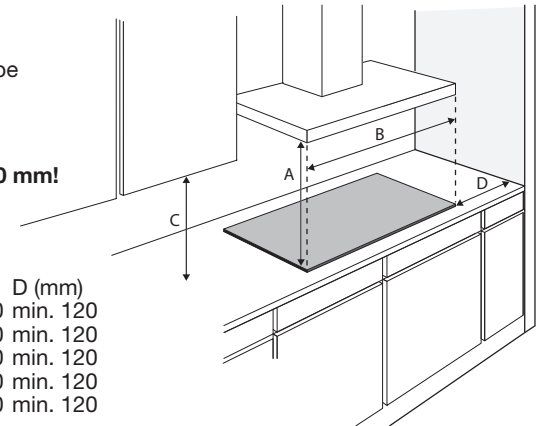
Electrical connection



Free space around appliance

Rangehoods and exhaust fans shall be installed in accordance with manufacturers instructions.

For an overhead exhaust fan A>750 mm!



	A (mm)	B (mm)	C (mm)	D (mm)
HG11	min. 650	min. 900	min. 450	min. 120
HG13	min. 650	min. 600	min. 450	min. 120
HG16	min. 650	min. 600	min. 450	min. 120
HG18	min. 650	min. 750	min. 450	min. 120
HG19	min. 650	min. 900	min. 450	min. 120



1/2" ISO 228 / 1/2" ISO 7-1



The gas connection must comply with national and local regulations.

The hotplate can be connected with rigid pipe as specified in AS/NZS 5601.1 current edition.

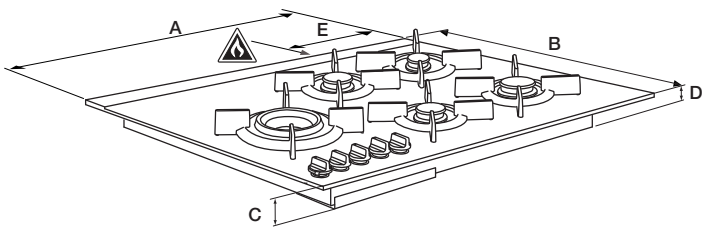
When the appliance is connected with a hose assembly, the supply point shall be accessible with the appliance installed.

240 V - 50 Hz - max. 20 W

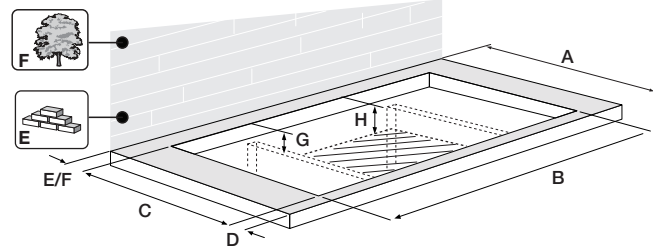


This appliance must be earthed

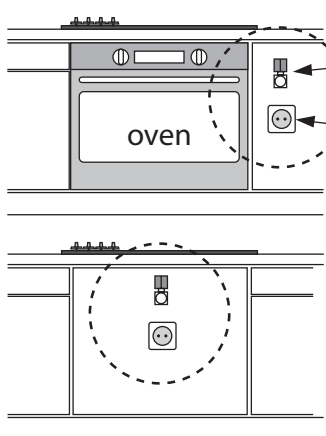
The electrical connection must comply with national and local regulations.



	A (mm)	B (mm)	C (mm)	D (mm)	E (mm)
HG11	1114	412	48	48	387
HG13	330	522	48	48	75
HG16	644	522	45	45	69
HG18	794	522	45	31	440
HG19	904	522	45	45	517



	A (mm)	B (mm)	C (mm)	D (mm)	E (>mm)	F (>mm)	G	H
HG11	600	1070	380	60	30	50	55	100
HG13	600	290	490	60	30	50	55	100
HG16	600	560	490	60	30	50	50	100
HG18	600	750	490	60	30	50	50	100
HG19	600	860	490	60	30	50	50	100



Accessibility!



y > 60° C

Y: metal gas supply valve shall be accessible

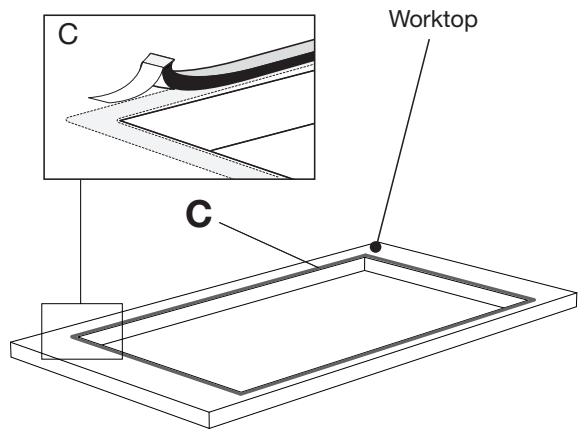
x < 60° C

X: safety hose Gas supply valve shall be accessible

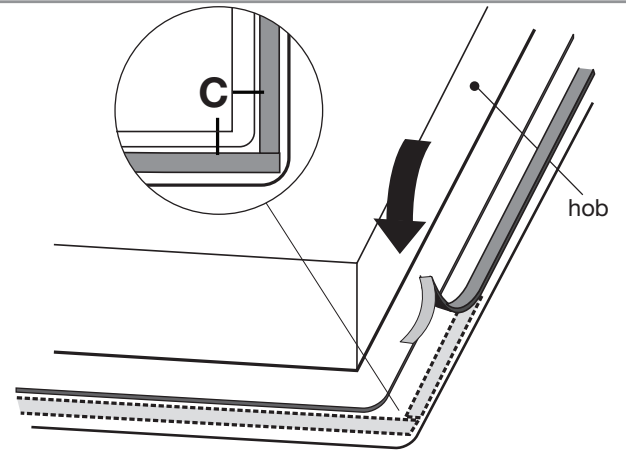


Placing sealing tape

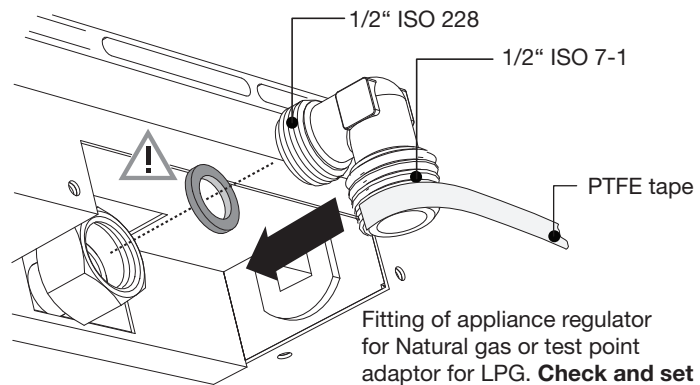
For stainless steel drip tray



For glass drip tray

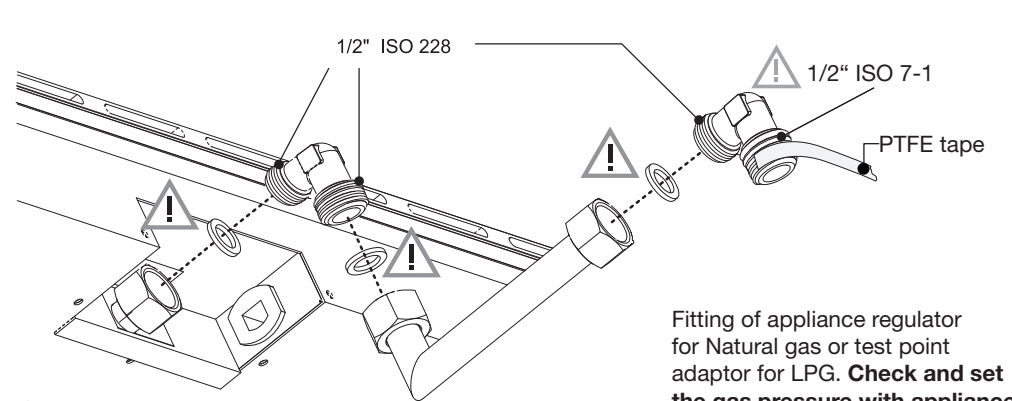


Gas connection



HG13/HG16/HG18/HG19

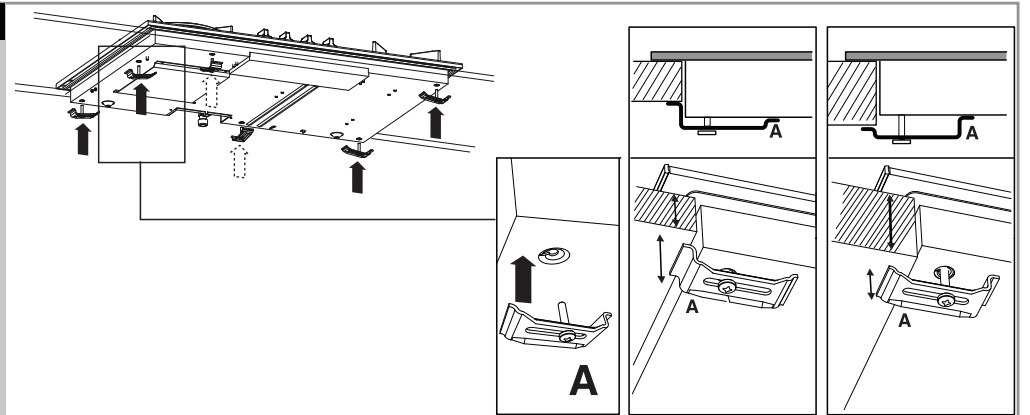
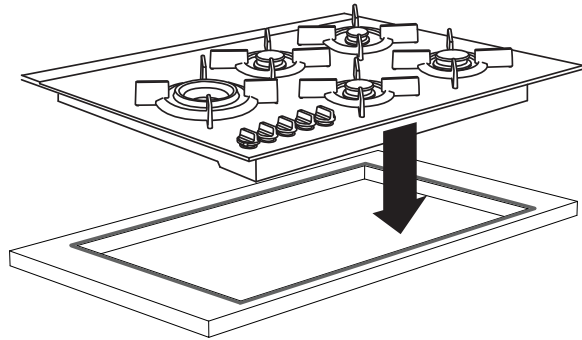
Fitting of appliance regulator for Natural gas or test point adaptor for LPG. **Check and set the gas pressure with appliance operating!**



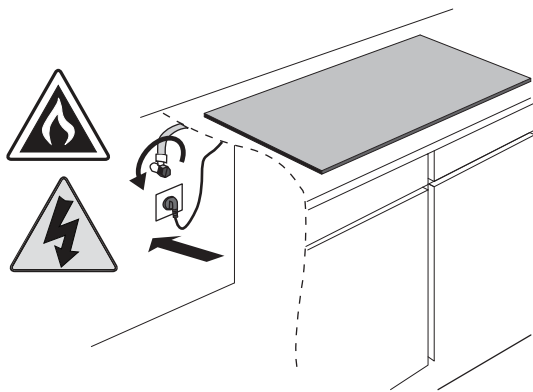
HG11

Fitting of appliance regulator for Natural gas or test point adaptor for LPG. **Check and set the gas pressure with appliance operating!**

Building in



Connecting and testing



Check that the connections are gastight. Test the working of the appliance!



	Simmer	Normal	Large	Wok
HG11	-	2	-	2
HG13	-	-	-	1
HG18	1	1	1	1
HG19	1	2	1	1

GAS	BURNER	INJECTOR BURNER (MM)	ADJ. SCREW (MM)	BURNER RATE (MJ/h)	GAS PRESSURE (kPa)
N.G.	Small	0.90	0.45	3.60	1.0
	Medium	1.20	0.60	6.70	
	Large	1.35	0.65	8.50	
	Wok (inner)	1.20 + 0.66	0.60	8.80	
	Wok (outer)	2.10 + 0.66	0.60	19.70	
ULPG	Small	0.48	0.26	3.05	2.75
	Medium	0.66	0.30	5.80	
	Large	0.77	0.36	7.30	
	Wok (inner)	0.63 + 0.40	0.34	7.50	
	Wok (outer)	1.00 + 0.40	0.34	14.80	