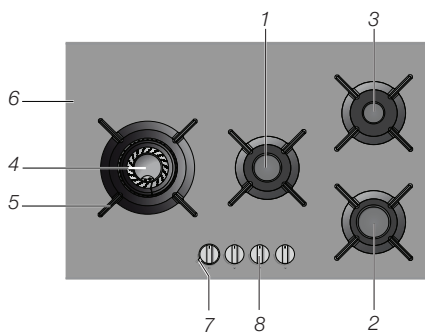


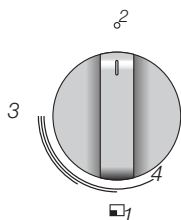
OPERATION

Description

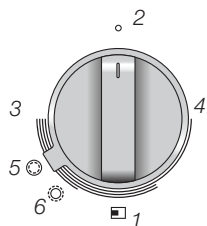


1. standard burner
2. rapid burner
3. simmer burner
4. wok burner
5. pan support
6. glass top or stainless steel drip tray
7. wok selector ring
8. control knob

Ignition and adjustment



1. zone indication
2. 0 position
3. High setting
4. Low setting
5. Wok setting (wok burner)
6. Roasting setting (wok burner)



Each burner is fully adjustable between high and low settings.

- Press the control knob and turn it anticlockwise. The burner will ignite.
- Keep the control knob fully depressed for at least 3 seconds between high and low settings. The thermocouple safety pilot has been activated.
- If desired, turn the wok selector ring to the roasting setting (6). The inner ring (wok setting) will switch off and the outer ring (roasting setting) will switch on.
- The wok burner will switch automatically to the wok setting if the control knob of the wok burner is set to 0.

It is possible to switch between wok setting and roasting setting and back during cooking.



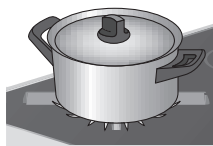
Please note! If the control knob is in the off setting (0-setting) the selector ring cannot be changed to the roasting setting. Always turn this knob back completely to 0!

OPERATION

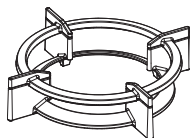
Use



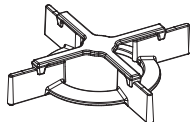
error



good



wok ring



small pan grid

Pans

- Always ensure that the flames stay under the pan. A lot of energy is lost if flames burn around the pan. The handles may also become too hot.
- Do not use pans with a base diameter smaller than 12 cm. Smaller pans are not as stable.

Wok ring and small pan grid

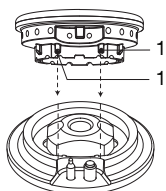
The wok ring for use with the wok burner supplied or obtainable as an accessory provides extra stability for woks with a round base. The small pan grid supplied or obtainable as an accessory makes it possible to use very small pans.

Do not use the small pan grid on the wok burner. Do not use the wok ring on the wok roasting setting. This can result in discolouring.

Pan support

Place the pan supports vertically, without sliding over the drip tray. Use the leads to position the pan supports on the drip tray.

MAINTENANCE



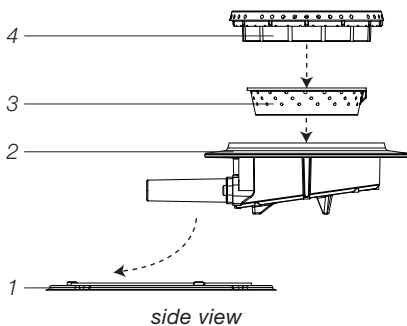
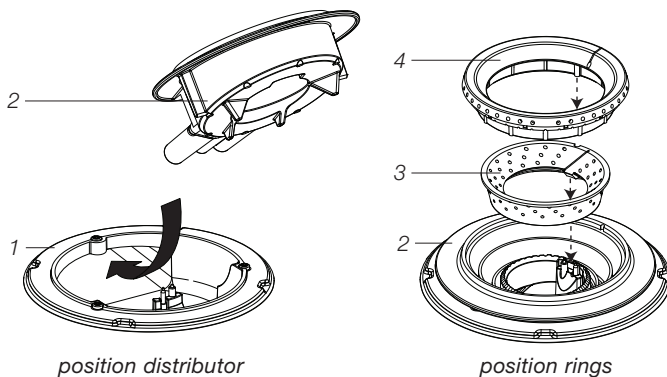
Burner

Use the leads (1) to put together the burner parts.

Wok burner

Place the wok burner correctly. Placing the wok burner parts incorrectly can result in a poorly functioning burner.

1. Place the burner distributor (2) in the burner housing (1).
2. Use the leads to place the inner ring (3) on the burner distributor (2).
3. Use the leads to place the outer ring (4) on the burner distributor (2).



MAINTENANCE

Maintenance

Regular maintenance after use prevents spilt food from setting too long and creating stubborn stains. Use a mild detergent for this. First clean the control knobs, burners and pan supports and only then the drip tray or glass cover. This prevents the drip tray or glass cover to becoming dirty again after cleaning.



Please note! Do not clean burner parts in the dishwasher. Dishwasher detergent can corrode burner parts!

Persistent stains on enamel (pan supports, burner caps)

Persistent stains can best be removed with a fluid detergent or a plastic scouring sponge. Never use scouring powder, scouring pads, sharp objects or aggressive cleaning products.

Persistent stains on the glass cover

Clean the glass cover with a special cleaning product for ceramic hobs. Water stains or limescale are best cleaned using cleaning vinegar.

Persistent stains on the stainless steel (drip trays)

Persistent stains on stainless steel are best removed with a special stainless steel cleaning product. Always wipe with the structure of the steel to prevent scraping away the protective layer (damage caused in this way does not fall under the guarantee!) The surface of stainless steel drip trays can discolour slightly over time.

Brass wok burner parts

Some wok burner parts are made from brass. It is normal for the brass colour to change as a result of the high temperatures involved in wok use.

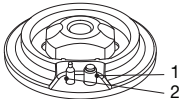


Consult the www.asko.com website for additional maintenance and cleaning instructions!

ERRORS

Fault list

If your gas hob does not work properly, this does not always mean that it is defective. Try to deal with the problem yourself first by checking the points below or check the www.asko.com website for more information.

SYMPTOM	POSSIBLE CAUSE	SOLUTION
You smell gas near the appliance.	The appliance connection is leaking.	Close the main gas switch. Contact the your installer.
A burner does not ignite. 	Plug not in socket. Fuse defective/fuse switched off in fuse cupboard.	Put the plug into the socket. Put in a new fuse or switch on the fuse in the fuse box.
	Spark plug (1) dirty/damp.	Clean/dry the spark plug.
	Burner parts not placed correctly.	Use the centring leads to put the burner parts together.
	Burner parts dirty/damp.	Clean/dry the burner parts. Make sure that the outflow holes are open.
	Main gas tap closed.	Open the main gas tap.
	Fault in gas mains.	Consult you gas supplier.
	Gas bottle or tank is empty.	Connect a new gas bottle or have the tank refilled.
Wrong type of gas used.	Check whether the gas used is suitable for the appliance. Contact your installer if it is not correct.	
The burner does not burn evenly.	Burner parts not placed correctly.	Use the centring leads to put the burner parts together.
	Burner parts dirty/damp.	Clean/dry the burner parts. Make sure that the outflow holes are open.
	Wrong type of gas used.	Check whether the gas used is suitable for the appliance. Contact your technician if it is not correct.
Burner extinguishes after igniting.	The control knob has not been depressed long or deep enough (at least 3 seconds).	Keep the control knob fully depressed for at least 3 seconds between high and low settings. This can take longer the first time because of the gas supply.
	Thermocouple (2) is dirty.	Clean/dry thermocouple.

ERRORS

SYMPTOM	POSSIBLE CAUSE	SOLUTION
Timer indicates error code F0 – F6 (if present).	There is an object, water or dirt on the buttons. Button used for too long.	Ensure that there is nothing on the buttons. Ensure that the buttons are clean and there is no water on them. Contact the technician if the error code does not disappear.
Ceramic glass plate broken.	Object fallen onto it.	Close the gas main switch and pull the plug out of the socket. Contact the your installer. Please note! Do not throw a broken ceramic glass plate in the glass recycling bin but take this to the Municipality's waste recycling centre.

ENVIRONMENTAL CONSIDERATIONS

Disposal of the appliance and packaging

Sustainable materials have been used during manufacture of this appliance.

The appliance packaging is recyclable. The following may have been used:

- cardboard;
- paper;
- polyethylene film (PE);
- CFC-free polystyrene (PS-rigid foam);
- polypropylene tape (PP).

Dispose of these materials in a responsible manner and in accordance with government regulations.



To designate the requirement for separate collection of household electrical appliances, the symbol of a crossed-out dustbin is applied to the product.

This means that at the end of its working life, the product must not be disposed of as urban waste. It must be taken to a special local authority differentiated waste collection centre or to a dealer providing this service. Disposing of a household appliance such as this hob separately avoids possible negative consequences for the environment and health and enables the constituent materials to be recovered, resulting in significant savings in energy and resources.



Please note! Do not throw a broken ceramic glass plate in the glass recycling bin but take this to the Municipality's waste recycling centre.



Declaration of conformity

We hereby declare that our products satisfy the applicable European directives, orders and regulations, as well as the requirements stated in the referenced standards.

